
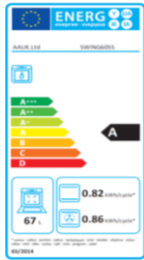








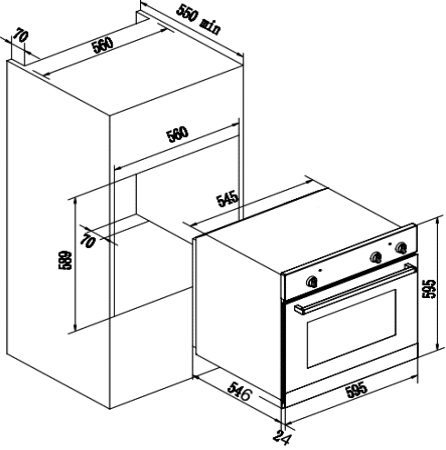
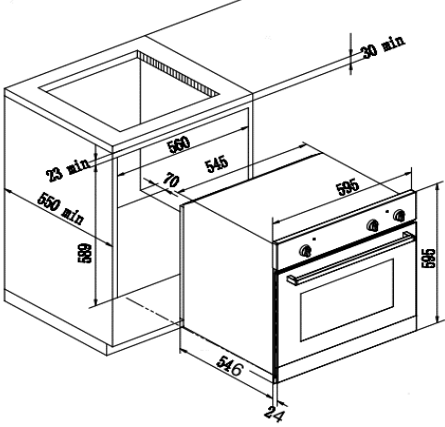


Appliance Data Sheet

Product Type	Electric Oven
Product Code	SWING60SS
	Product Description
	60cm Side Opening Electric Oven
	
Features / Specification	
Barcode	8422248612166
Colour	Black / Stainless Steel
Cooking Type	Fan Oven / Conventional Oven
Control Type	Mechanical
Timer	Digital Electronic
Self Cleaning	No
No of Shelves	2
Oven Light	Yes
Functions	<div style="display: flex; flex-wrap: wrap; justify-content: space-around;"> <div style="text-align: center; margin: 5px;">  Oven Light </div> <div style="text-align: center; margin: 5px;">  Defrost </div> <div style="text-align: center; margin: 5px;">  Conventional </div> <div style="text-align: center; margin: 5px;">  True Fan </div> <div style="text-align: center; margin: 5px;">  Small Grill </div> <div style="text-align: center; margin: 5px;">  Full Grill </div> <div style="text-align: center; margin: 5px;">  Full Grill + Fan </div> <div style="text-align: center; margin: 5px;">  Lower Heat + Fan </div> </div>
Dimensions & Technical Information	
	
Product Dimensions width x depth x height	595 x 570 x 595mm
Packed Dimensions width x depth x height	670 x 650 x 645mm
Product Weight (kg)	32.2 kg Packed / 28.7 Unpacked
Max Power	2960W
Net Oven Capacity	67L